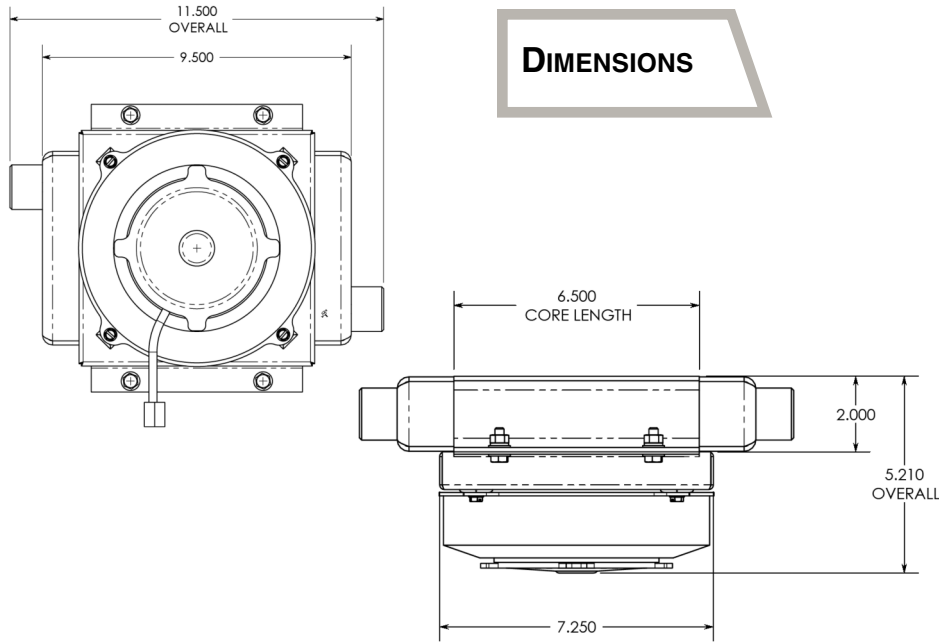
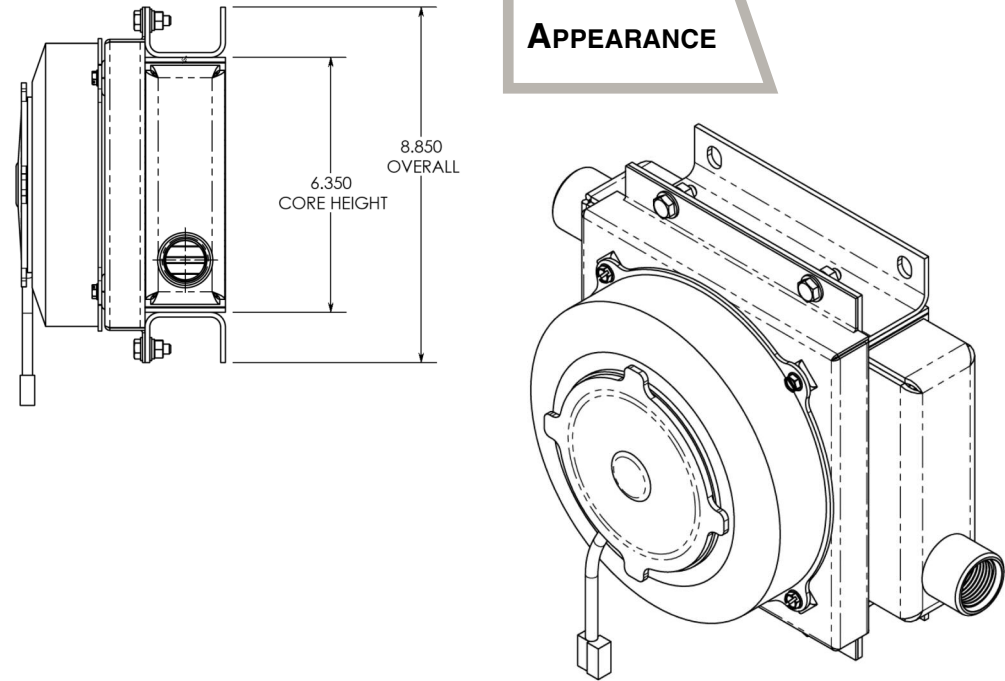


## DIMENSIONS



## APPEARANCE



## SPECIFICATIONS

Flow Range (GPM).....3 – 14  
 Heat Rejection Range (BTU/Hr):  
 8,300 – 9,200  
 Fitting Size.....#12 SAE ORB  
**Material**  
 Aluminum Bar/Plate  
 Inner Fin:.....Al – 1100  
 Outer Fin:.....Al – 1100  
 Fitting:.....Aluminum  
**Cooler Weight (lbs.)**  
 Total Weight (dry):.....7 lbs.

## PERFORMANCE

