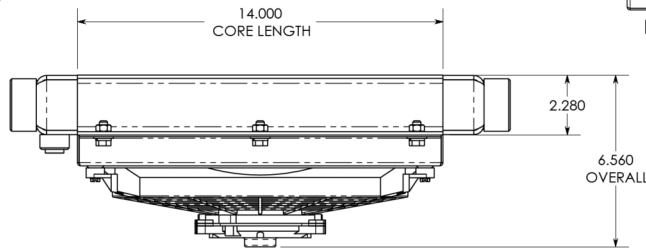
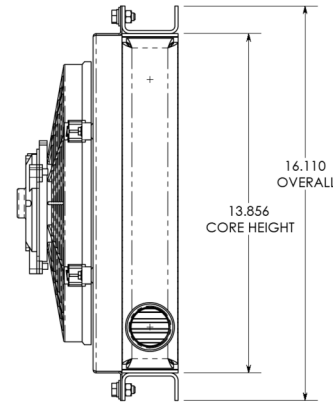
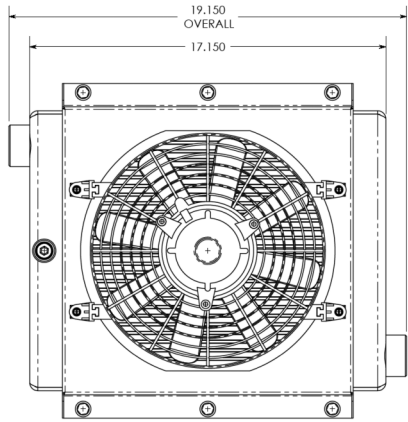
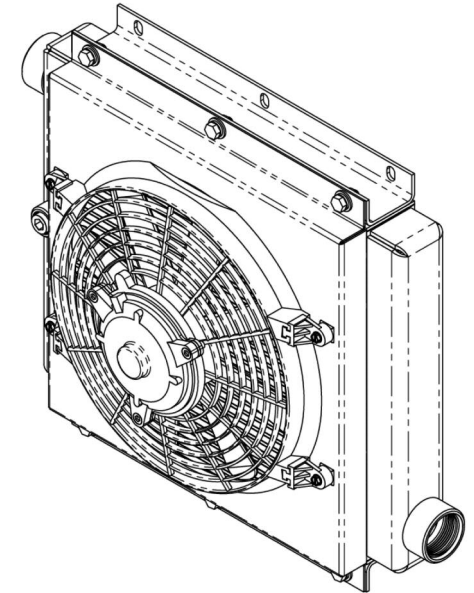


DIMENSIONS



APPEARANCE



SPECIFICATIONS

Flow Range (GPM).....10 – 50
 Heat Rejection Range (BTU/Hr):
 41,000 – 44,600
 Fitting Size.....#20 SAE ORB
Material
 Aluminum Bar/Plate
 Inner Fin:.....Al – 1100
 Outer Fin:.....Al – 1100
 Fitting:.....Aluminum
Cooler Weight (lbs.)
 Total Weight (dry):.....30 lbs.

PERFORMANCE

