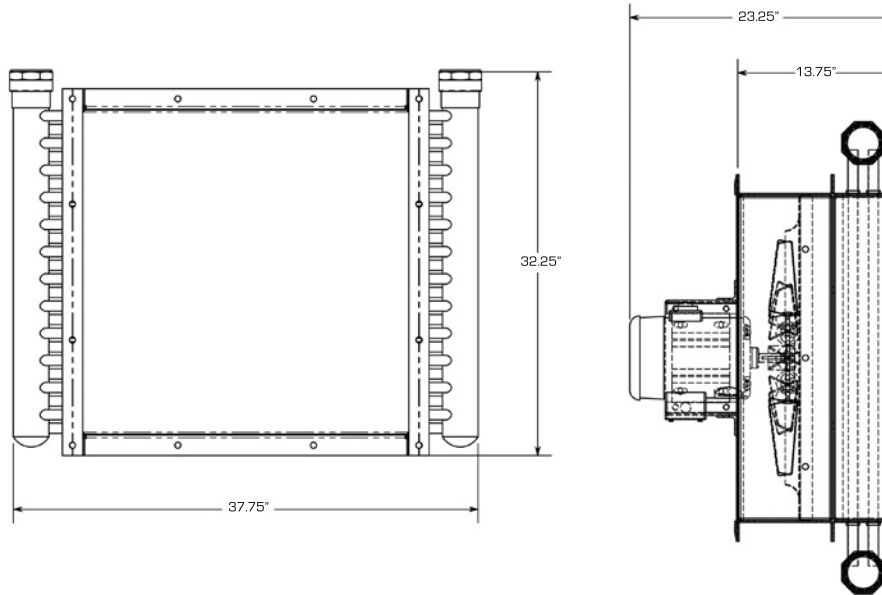
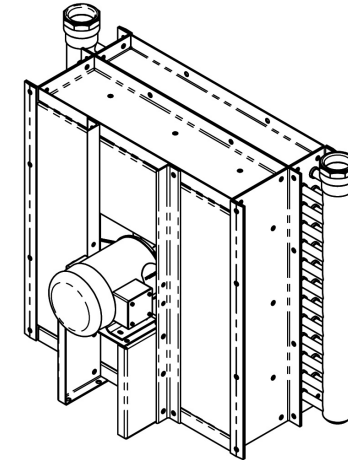


DIMENSIONS



APPEARANCE



SPECIFICATIONS

Flow Range (GPM):15 - 105
 Heat Rejection Range (BTU/Hr):
 120,700 - 198,200
 Fitting Size:.....2-1/2" FPT
Material
 Copper Tube:.....CDA122
 Inner Tube:.....Al-3003
 Inner Fin:Al - 1100
 Outer Fin:Al - 1100
 Fitting:.....Copper
Cooler Weight (lbs.)
 Total Weight :.....195
 (electrical) lbs.

PERFORMANCE

PART NO. (COMPLETE)	ELECTRIC MOTOR SPEC. VOLTS/PHASE/HERTZ	HYDRAULIC MOTOR SPEC. GPM@ PSI	ELECTRIC MOTOR REQD. FRAME/HP/RPM
DB-214-B	w / o motor/ fan, air plenum	N/A	145T / 1.5 / 1725
DB-214-0	w / o motor	N/A	145T / 1.5 / 1725
DB-214-1	115-230 / 1 / 60	N/A	145T / 1.5 / 1725
DB-214-2	230-460 / 3 / 60	N/A	145T / 1.5 / 1725
DB-214-3	N/A	2.0 @ 1850	
DB-214-4	N/A	2.5 @ 1450	
DB-214-5	N/A	3.5 @ 1150	
DB-214-6	N/A	4.0 @ 950	
DB-214-7	N/A	5.0 @ 750	

