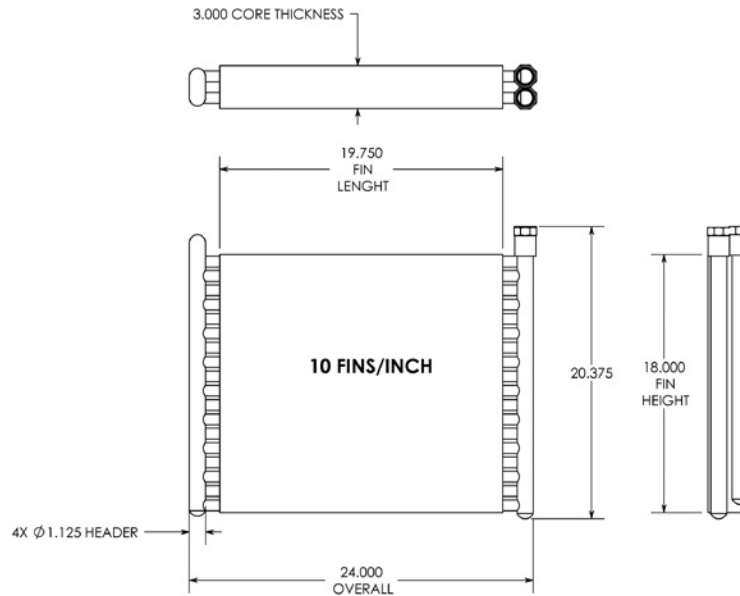
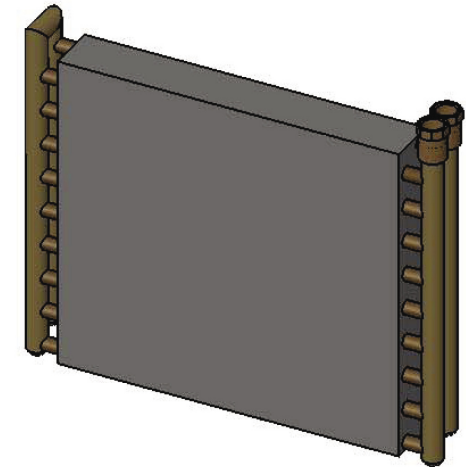


DIMENSIONS



APPEARANCE



SPECIFICATIONS

Flow Range (GPM):5 - 15
 Heat Rejection Range (BTU/Hr):
 49,500 - 68,000
 Fitting Size:.....3/4" FPT

Material

Copper Tube:.....CDA122
 Inner Tube:Al-3003
 Inner Fin:Al - 1100
 Outer Fin:Al - 1100
 Fitting:.....Copper

Cooler Weight (lbs.)

Total Weight :.....21 lbs.

PERFORMANCE

