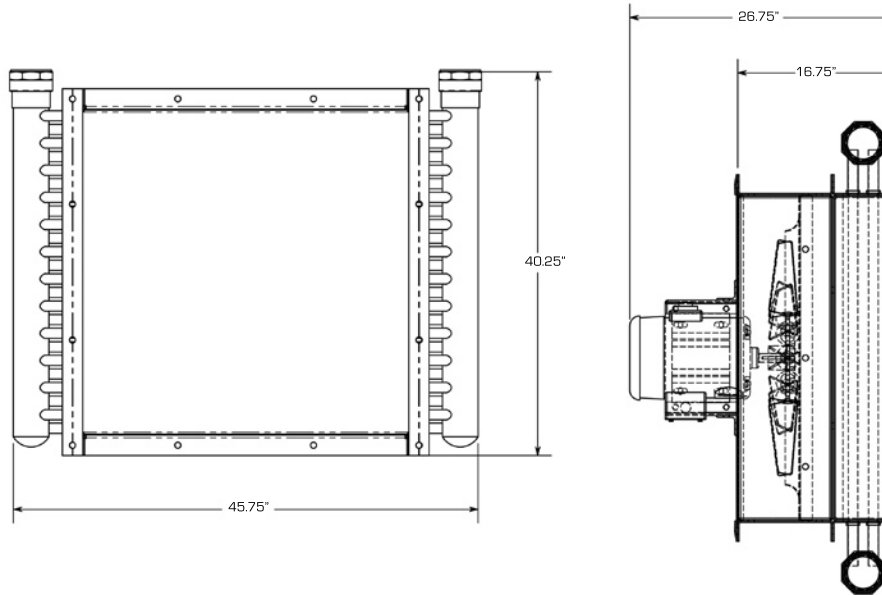
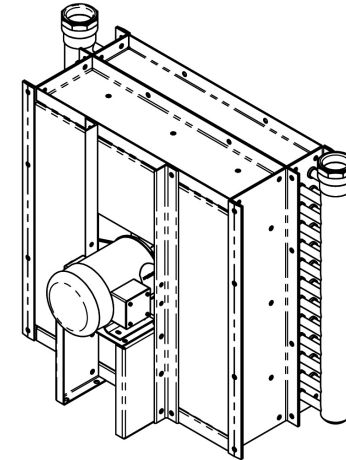


DIMENSIONS



APPEARANCE



SPECIFICATIONS

Flow Range (GPM):25 - 155
 Heat Rejection Range (BTU/Hr):
 258,000 - 433,300
 Fitting Size:.....2-1/2" FPT

Material

Copper Tube:.....CDA122
 Inner Tube:Al-3003
 Inner Fin:Al - 1100
 Outer Fin:Al - 1100
 Fitting:.....Copper

Cooler Weight (lbs.)

Total Weight :.....392
 (electrical) lbs.

PERFORMANCE

PART NO. (COMPLETE)	ELECTRIC MOTOR SPEC. VOLTS/PHASE/HERTZ	HYDRAULIC MOTOR SPEC. GPM@ PSI	ELECTRIC MOTOR REQD. FRAME/HP/RPM
DB-318-B	w / o motor/ fan, air plenum	N/A	182T / 3 / 1725
DB-318-0	w / o motor	N/A	182T / 3 / 1725
DB-318-1	230-460 / 3 / 60	N/A	182T / 3 / 1725
DB-318-2	N/A	7.0 @ 1050	
DB-318-3	N/A	9.5 @ 700	
DB-318-4	N/A	12.0 @ 550	
DB-318-5	N/A	15.0 @ 500	

