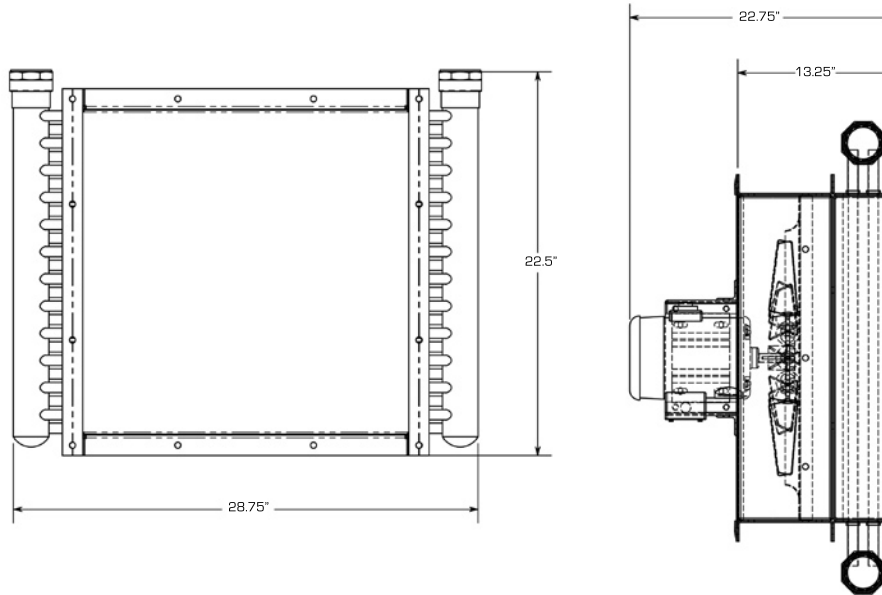
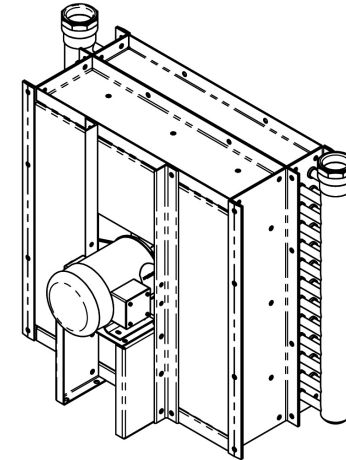


DIMENSIONS



APPEARANCE



SPECIFICATIONS

Flow Range (GPM):20 - 125

Heat Rejection Range (BTU/Hr):

124,100 - 183,100

Fitting Size:.....2" FPT

Material

Copper Tube:.....CDA122

Inner Tube:.....Al-3003

Inner Fin:.....Al - 1100

Outer Fin:.....Al - 1100

Fitting:.....Copper

Cooler Weight (lbs.)

Total Weight :.....129

(electrical) lbs.

PERFORMANCE

PART NO. (COMPLETE)	ELECTRIC MOTOR SPEC. VOLTS/PHASE/HERTZ	HYDRAULIC MOTOR SPEC. GPM@ PSI	ELECTRIC MOTOR REQD. FRAME/HP/RPM
DB-410-B	w / o motor/ fan, air plenum	N/A	56 / 3/4 / 3450
DB-410-0	w / o motor	N/A	56 / 3/4 / 3450
DB-410-1	115-230 / 1 / 60	N/A	56 / 3/4 / 3450
DB-410-2	230-460 / 3 / 60	N/A	56 / 3/4 / 3450
DB-410-3	N/A	2.5 @ 750	
DB-410-4	N/A	3.5 @ 550	
DB-410-5	N/A	4.5 @ 500	

