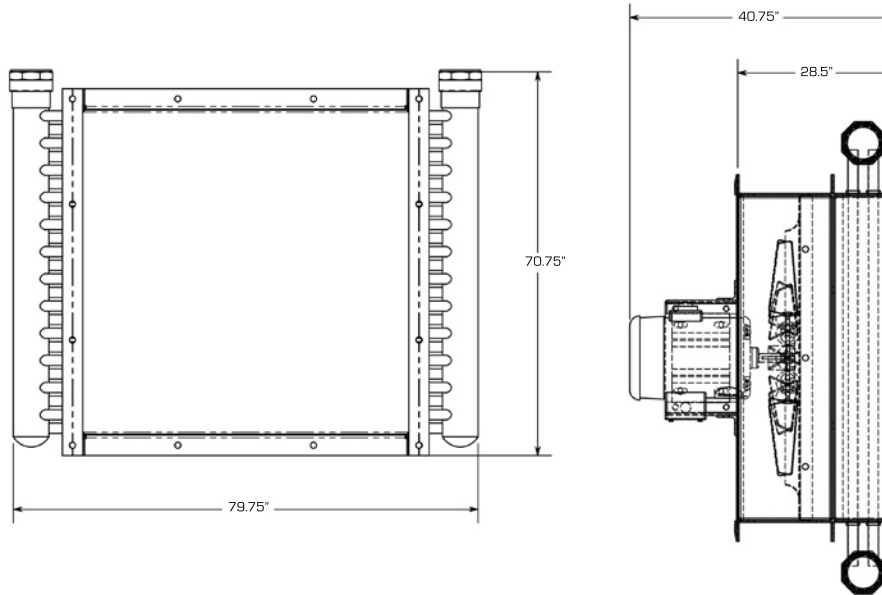
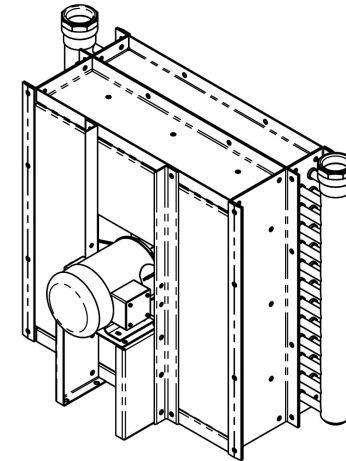


## DIMENSIONS



## APPEARANCE



## SPECIFICATIONS

Flow Range (GPM): .....60 - 310  
 Heat Rejection Range (BTU/Hr):  
 938,100 - 1,683,600  
 Fitting Size:.....4ASA\*  
 (ASA round flange, 150 pound)

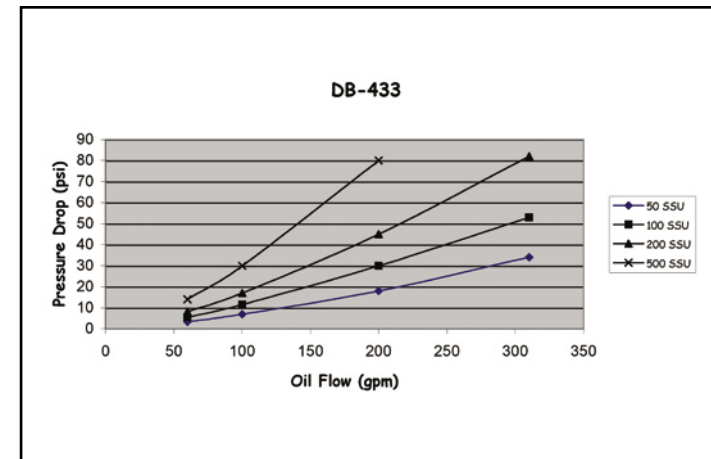
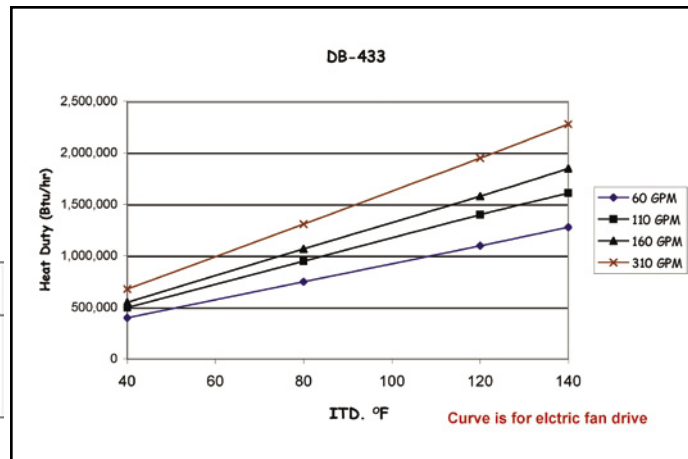
### Material

Copper Tube:.....CDA122  
 Inner Tube: .....Al-3003  
 Inner Fin: .....Al - 1100  
 Outer Fin: .....Al - 1100  
 Fitting:.....Copper

### Cooler Weight (lbs.)

Total Weight :.....1384  
 (electrical) lbs.

## PERFORMANCE



PART NO. (COMPLETE)	ELECTRIC MOTOR SPEC. VOLTS/PHASE/HERTZ	HYDRAULIC MOTOR SPEC. GPM @ PSI	ELECTRIC MOTOR REQD. FRAME/HP/RPM
DB-433-B	w / o motor/ fan, air plenum	N/A	256T / 10 / 1140
DB-433-0	w / o motor	N/A	256T / 10 / 1140
DB-433-1	230-460 / 3 / 60	N/A	256T / 10 / 1140
DB-433-2	N/A	9.5 @ 2500	
DB-433-3	N/A	12.0 @ 1900	