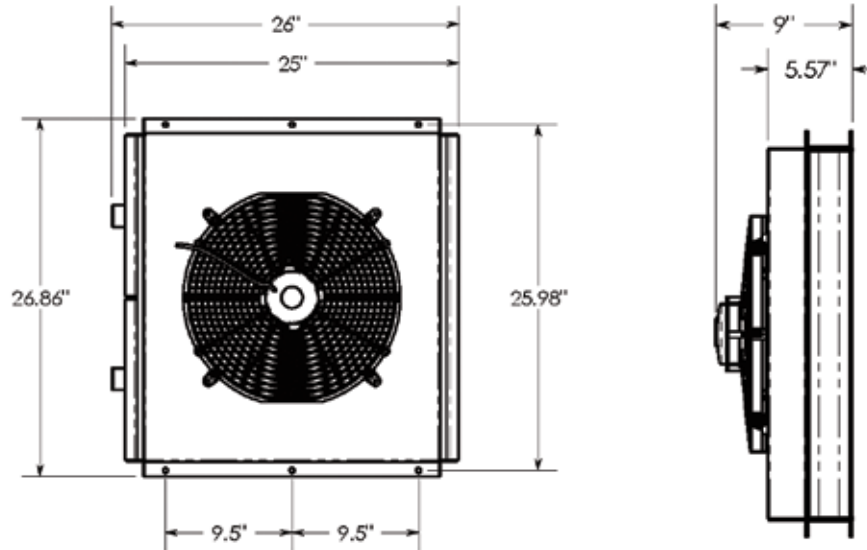
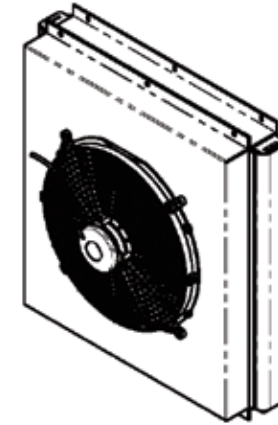


DIMENSIONS



APPEARANCE



SPECIFICATIONS

Flow Range (GPM): 10 - 40
 Heat Rejection Range (BTU/Hr):
 78,000 - 94,000
 Fitting Size:.....#16 SAE ORB

Material

Extruded Aluminum Oval Tube
 Inner Fin:Al - 1100
 Outer Fin:.....Al - 1100
 Fitting:.....Aluminum

Cooler Weight (lbs.)

Total Weight (dry) : 60 lbs.

PERFORMANCE

